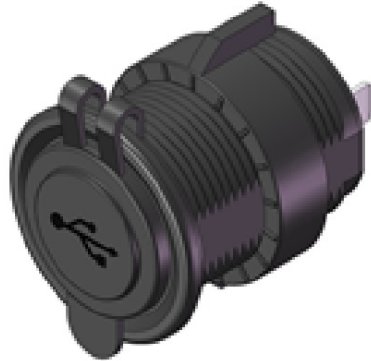




2PORT USB RECEPTACLE WITHOUT MOUNTING PLATE



Packaging Selections 1Pc/PVC Blister + Slide Card
Product Number GH-DS2023

SPECIFICATION

- * Quick Nut
- * Input: 12-24V DC
- * Output: 5V 3.1A DC(Total)

Address in Taiwan: 9F-3, No. 202, Sec. 3, Da-Tong Road, Hsi-Chih District, New Taipei City, Taiwan 22103

Address in China: Room 102, Unit.2 , Build. 24, No.417, Xing Yang Road, Cheng Yang District, Qingdao, China, 266109

Tel: +886-286471778 Email: panjack.co@msa.hinet.net