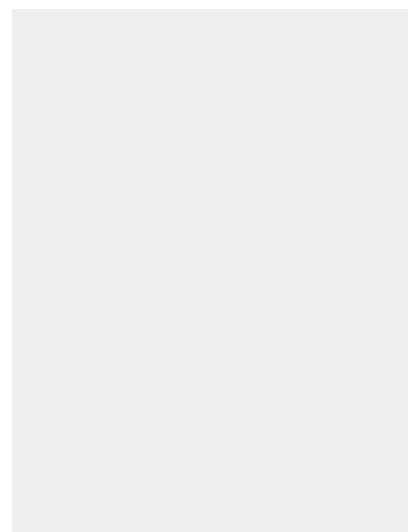
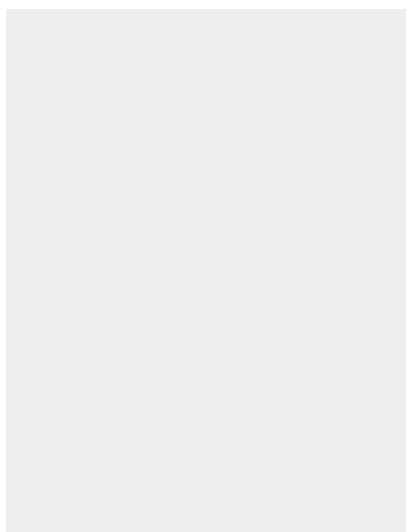
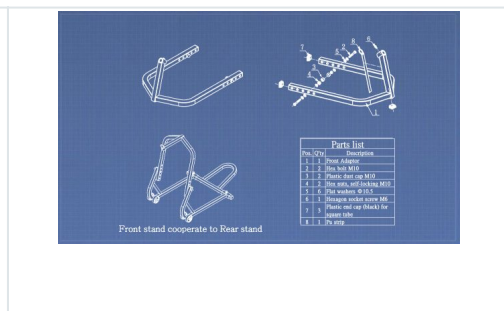


FRONT HEAD STAND



Product Number 72-2631F

GALLERY IMAGES



Address in Taiwan: 9F-3, No. 202, Sec. 3, Da-Tong Road, Hsi-Chih District, New Taipei City, Taiwan 22103

Address in China: Room 102, Unit.2 , Build. 24, No.417, Xing Yang Road, Cheng Yang District, Qingdao, China, 266109

Tel: +886-286471778 Email: panjack.co@msa.hinet.net



PRODUCT DESCRIPTION

- Enables you to lift the complete front end of your motorbike from under the steering head.
- Suitable for motorcycles with freely accessible steering head.

Address in Taiwan: 9F-3, No. 202, Sec. 3, Da-Tong Road, Hsi-Chih District, New Taipei City, Taiwan 22103

Address in China: Room 102, Unit.2 , Build. 24, No.417, Xing Yang Road, Cheng Yang District, Qingdao, China, 266109

Tel: +886-286471778 Email: panjack.co@msa.hinet.net



SPECIFICATION

Made of rugged, powder-coated square tube (30 x 30 mm, 1.18 x 1.18 in)

Outside width: 40 cm (15.75 in)

Maximum direct load of 150 kg (330.75 lbs)

Overall weight of motorcycle, incl. accessories, must not exceed 300 kg (661.5 lbs)

Address in Taiwan: 9F-3, No. 202, Sec. 3, Da-Tong Road, Hsi-Chih District, New Taipei City, Taiwan 22103

Address in China: Room 102, Unit.2 , Build. 24, No.417, Xing Yang Road, Cheng Yang District, Qingdao, China, 266109

Tel: +886-286471778 Email: panjack.co@msa.hinet.net